

Industrial Panel PC

12.1"/15"/17"/19" TFT LCD Panel PC

**APC-3213/3513/
3713/3913**



Features

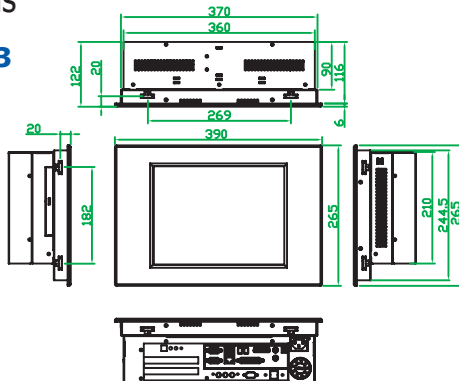
- Intel Celeron M 1.5GHz up to Pentium M 1.8GHz CPU
- NEMA 4/IP 65 compliant front bezel
- Resistive touch screen (optional)
- 2 x PCI expansion slots
- Space for one 2.5" HDD, one slim CD-ROM / DVD Combo and one CF slot
- Optional stainless steel front bezel
- Support Panel mount
- AC universal 100~240V or optional DC 11~28V wide-range power input

System Specifications

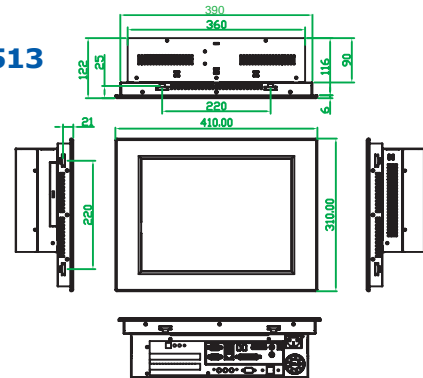
Specs	Models	APC-3213	APC-3513	APC-3713	APC-3913
CPU		Intel Celeron M 1.5GHz up to Pentium M 1.8GHz			
DRAM		up to 1GB DDR SDRAM			
Storage		Space for 1x 2.5" HDD, 1x slim CD-ROM / DVD Combo and 1 x CF slot			
I/O Ports		2 x COM ports, 4 x USB 2.0, 1 x PS/2 keyboard & mouse, 1 x LAN 1 x Audio Mic, Line-in, Line-out, 1 x parallel port, 1 x VGA, 1 x DVI			
Expansion		2 x PCI slots			
Fanless / Fan		Fan			
Touch screen		Resistive (optional)			
Display Specifications					
LCD		12.1" SVGA	15" XGA	17" SXGA	19" SXGA
Resolution		800x600	1024x768	1280x1024	
Luminance (cd/m ²)		300	400	300	
Dimension		390(W)x265(H)x122(D)mm	410(W)x310(H)x122(D)mm	457(W)x355(H)x128(D)mm	484(W)x400(H)x129(D)mm
Backlight Lifetime		50,000hrs			
Mechanical Specifications					
Construction		Heavy-duty steel chassis, Stainless Steel front bezel (optional)			
Power input		AC universal 100~240V or optional DC 11~28V wide-range power input			
Operating Temperature		0~50° C			
Storage Temperature		0~60° C			
Rating		NEMA 4/IP 65 compliant front bezel			
Certificate		Meet CE / FCC Class A			
Mounting		Panel mount			

Dimensions

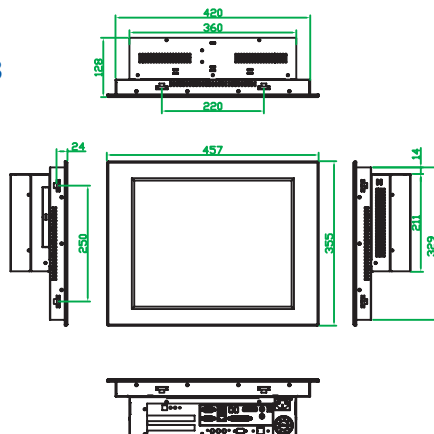
APC-3213



APC-3513



APC-3713



APC-3913

