

IES-1050-M12

>> Industrial 5-port 10/100TX IP-67 Unmanaged Ethernet Switch

- Supports 5 ports 10/100 Base-T(X)
- Compact size for easily installation
- Waterproof M12 connector
- Rigid IP-67 housing design



> Features

- Supports 5 ports 10/100 Base-T(X) in M12 connector
- Environmentally sealed by IP67 grade protection and ultrarugged enclosure fir toughest industrial usages
- Extended operating temperature range from -40°C to 70°C ready
- DIN-Rail mounting enabled

> Introduction

IES-1050-M12 is IP67 waterproof unmanaged Ethernet switch with 5x10/100TX ports. With very compact size of housing, you can install IES-1050-M12 easily. It is specifically designed for the toughest industrial environments. With rigid IP-67 housing design IES-1050-M12 provide a waterproof, and dust-tight connection, and can operate under harsh environment. The very wide extended operating temperature range from -40 oC to 70oC is ready and can satisfy most requirement of operation.

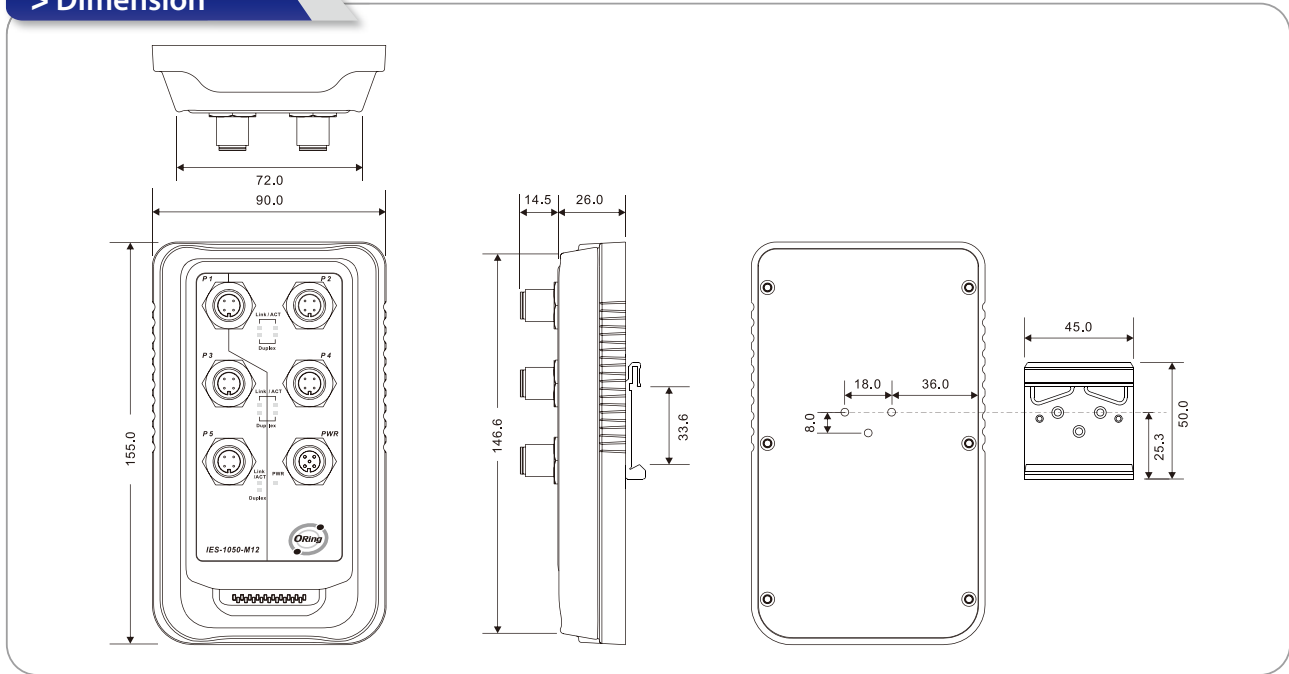
> Practical Operation

IES-1050-M12 can be used in connecting several Ethernet devices which need to operated under harsh environment and waterproof requirement. In addition, its compact size enables easily installation and minimize the space.



Connections of Ethernet devices

> Dimension



(Unit=mm)

> Specifications

ORing Switch Model	IES-1050-M12
Physical Ports	
10/100 Base-T(X) Ports in RJ45 Auto MDI/MDIX	5
Connector Type	M12 Waterproof
Technology	
Ethernet Standards	IEEE 802.3 for 10BaseT, IEEE 802.3u for 100BaseT(X) IEEE 802.3x for Flow control
Processing	Store-and-Forward
LED indicators	
Power indicator	Green : Ready LED x 1
10/100TX RJ45 port indicator	Green for port Link/Act. Yellow for duplex indicator
Power	
Redundant Input power	9~ 30 VDC voltage power input
Connector Type	M12 Waterproof
Power consumption (Typ.)	3 Watts
Overload current protection	Present
Reverse polarity protection	Present

Physical Characteristic	
Enclosure	IP-67
Dimension (W x D x H)	90 mm (W) x 40.5 mm(D) x 155 mm(H)
Weight (g)	470 g
Environmental	
Storage Temperature	-40 to 85°C (-40 to 185°F)
Operating Temperature	-40 to 70°C (-40 to 158°F)
Operating Humidity	5% to 95% Non-condensing
Regulatory approvals	
EMI	FCC Part 15, CISPR (EN55022) class A
EMS	EN61000-4-2 (ESD), EN61000-4-3 (RS), EN61000-4-4 (EFT), EN61000-4-5 (Surge), EN61000-4-6 (CS), EN61000-4-8, EN61000-4-11
Shock	IEC60068-2-27
Free Fall	IEC60068-2-32
Vibration	IEC60068-2-6
Safety	EN60950
Warranty	5 years

> Ordering Information

IES-1 **AA** **B**-M12

Code Definition	10/100TX Port Number	Additional Port Number
Option	- 05 : 5 ports	- 0 : 0 ports

Available Model	Model Name	Description
	IES-1050-M12	Industrial 5-port IP67 Un-managed Ethernet Switch with 5x10/100 TX